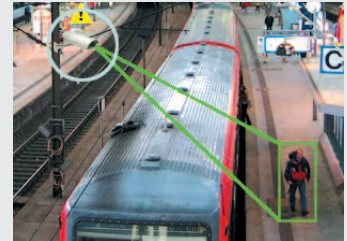


Phoenix IVS brings the first low cost and easy to deploy intelligent IP enabled video “Edge” camera to the market. The IVC™ Versatile is a smart camera you can easily configure and install!

INTELLIGENT VIDEO WITH ONBOARD ANALYTICS

Equipped with ObjectVideo Onboard™, Phoenix IVC's are one of the most versatile and powerful surveillance cameras available. With the ability to detect security threats against preset rules, Intelligent Video Cameras send alerts and video to security personnel when a threat is detected, many times preventing a breach from occurring. Each IVC provides up to 3 outputs for alarms or dry contacts that may be activated for additional levels of security prevention. Power can be supplied over Ethernet (PoE) making them simple and cost effective to install in any location. All these features make the IVC Versatile the most powerful “EDGE” camera available today.



DAY AND NIGHT OPERATION

CCD options include a day/night imager providing effective 24 hour operation in poor light conditions. Camera switches from color to monochrome when light conditions fall under minimum lighting specifications. For maximum nighttime operation in near dark situations, a monochrome low light CCD option is available with a minimum illumination rating of 0.0001lx.

EASE OF INSTALLATION

- Completely built in polycarbonate IP66 with side opening for easy access
- Installation with 2 standard cable glands including bracket or cable management bracket
- Power over Ethernet (PoE), Single CAT5 cable providing power, video, and communications up to 100 meters (328 ft)
- Available accessories: Numerous wall, ceiling and column mounts, choice of lenses



Analytics
at the **EDGE**

IP
convergence

H.264
Up to 4x the efficiency
of MPEG4

PHOENIX IVS
SDK
Using XML Web Services,
built on open standards

IVC™ VERSATILE

IVC VERSATILE SPECIFICATIONS

Models: IVC Versatile Day Night
IVC Versatile Lowlight

IVC Lenses: 3.0 – 8.5 mm
2.8 – 12 mm
7.5 – 50 mm

Communications: 10/100 Base T Ethernet

Video Analysis: Detection Package 1
Packages Detection Package 2
Detection Package 3

Video Resolution: QCIF: 176x120 (NTSC), 176x144 (PAL)
CIF: 352x240 (NTSC), 352x288 (PAL)
4CIF: 702x480 (NTSC), 702x576 (PAL)

Video Compression: MJPEG, MPEG 4, H.264

Protocols: HTTP, RTSP, RTP, TCP, UDP, DHCP, DNS, XML,
Multicast, Unicast, Dual Stream

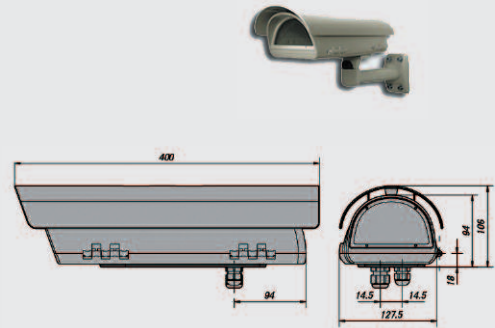
Frame Rate: NTSC - 30fps Max
PAL - 25fps Max

INPUT/OUTPUT

Alarm and Control I/O*: 1 – 10 Base T Ethernet
1 – RS232 Serial Port
1 – RS422/485 Port
3 – Alarm Outputs
(Normally open outputs with Resistive Load 2.5A at 60 VDC)

Connectors: External: 2 x removable cable glands:
1xPG9, 1xPG11
Internal: 2 x 2.5 screw terminals for Alarm,
Serial, Ethernet
1 x 2 pin DC Power

*Factory options include RS232 or RS422/485 (not both).
RS422/485 version only supports 2 alarm outputs



ENVIRONMENTAL/MECHANICAL

Temperature: -20°C to 58°C (Operating),
-40°C to 85°C (Storage)

Humidity: 5% to 90% (non-condensing)

Enclosure: Polycarbonate, IP66, Sunshield included

Mounting: Wall, column, and ceiling mount available

Power: Input 1: 11 - 16 VDC, Max: 8 W
Input 2: PoE: 48 VDC, Max: 8 W

Dimensions: LxWxH: 15.74" x 5.31" x 5.27"
(400 x 127.5 x 106 mm)

Weight: 3 lbs (1.36 kg) with no lens



PHOENIX IVS™

A COMPLETE INTELLIGENT
VIDEO SURVEILLANCE SOLUTION.™

Address: 10780 SW 190 ST, Miami, FL 33157

Phone: +1 (305) 238 0477

Fax: +1 (305) 238 7125

Email: sales@phoenixivs.com

Web: www.phoenixivs.com